

Primary Tank

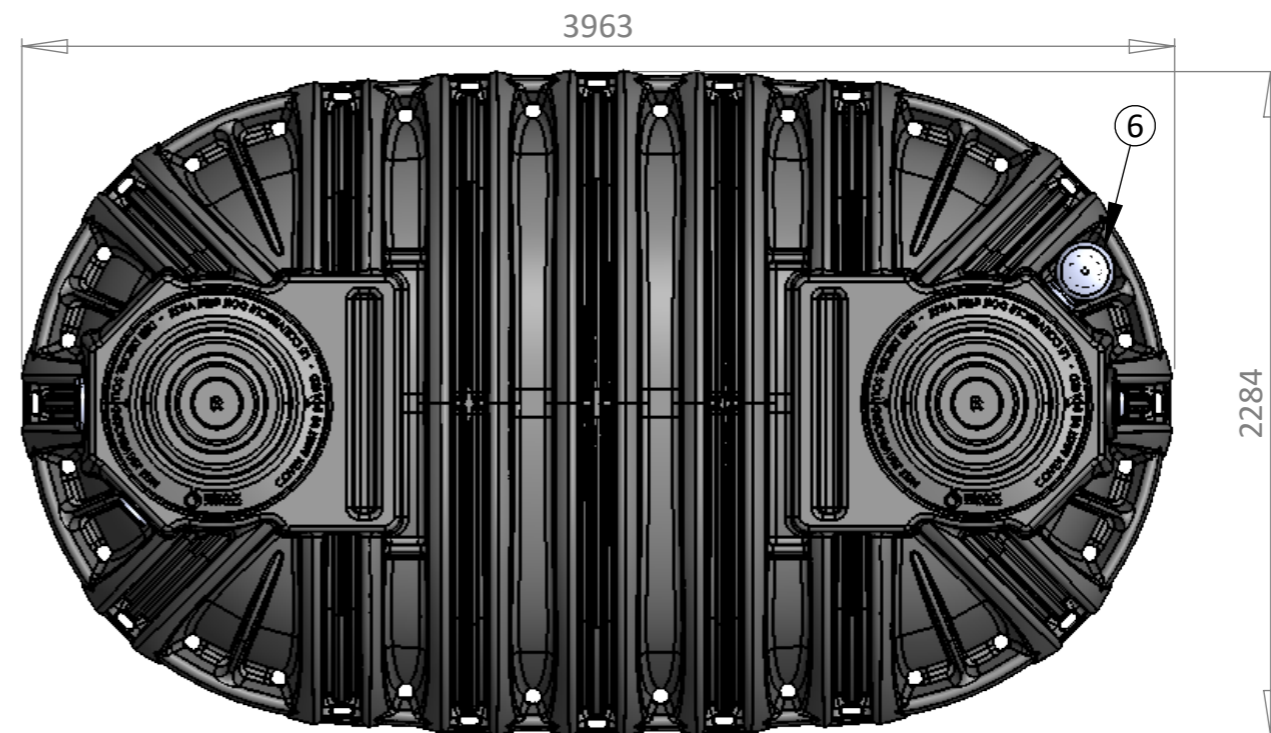
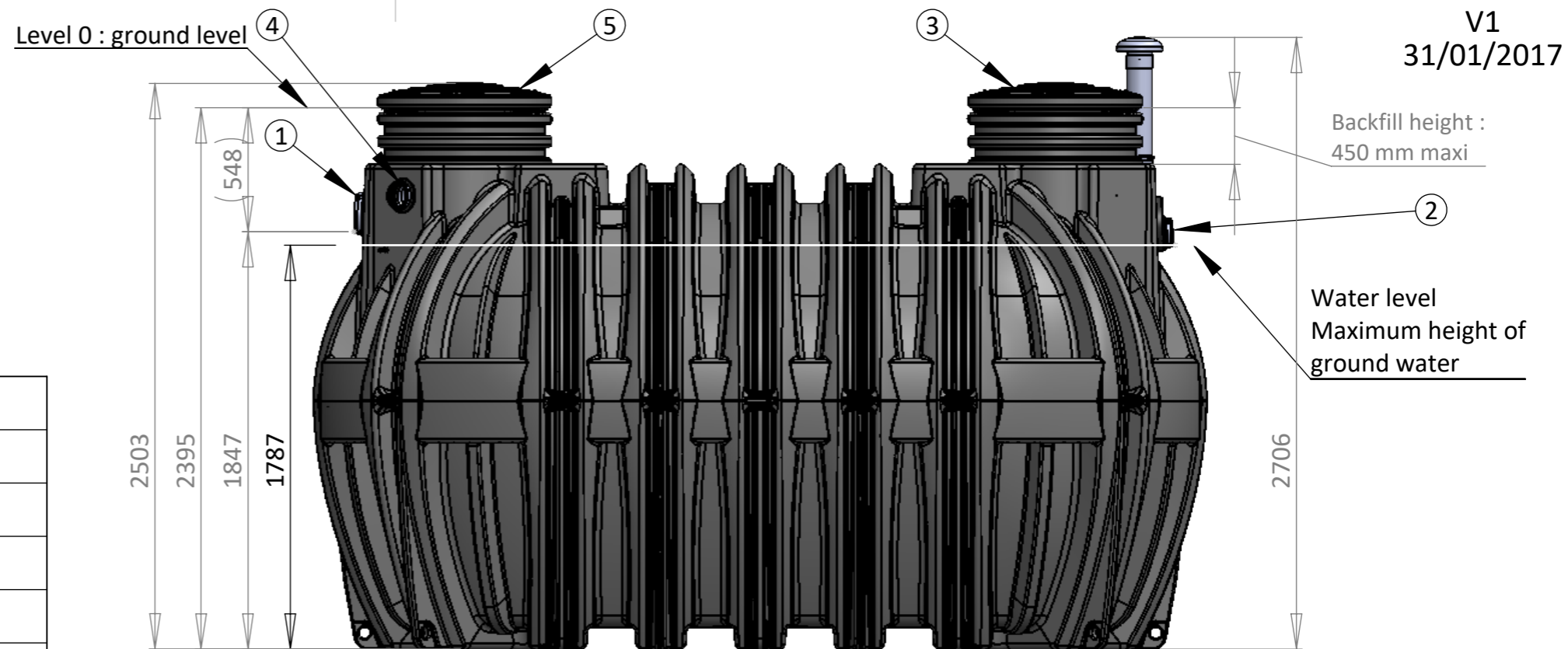
BIOROCK-ST1-10000

Tank volume 10000L

1	Water inlet
2	Water outlet
3	Access to effluent prefilter
4	Air outlet
5	Access to rodding point
6	Air inlet

Characteristics	Value	Unit
Primary tank (PT)		
Material	HDPE	
Minimum volume necessary	10000	Liters
Specification	Value	Unit
Overall length	3963	mm
Overall width	2284	mm
Overall height	2706	mm
Total weight (without water)	515	Kg
Pipe diameter	160-110	mm

This primary tank can be installed in high ground water table.



Overall tolerance : 3%

Service :

ORIGINATOR			
NAME	SIGNATURE	DATE	
AUTHOR: TC		31/01/2017	
APPROV.			
CHANGES			
NAME	SIGNATURE	DATE	
AUTHOR			
APPROV.			
CHANGES			
AUTHOR			
APPROV.			

TITLE: **BIOROCK-ST1-10000**

Nb. of PLAN: FTE-X10000

SCALE: 1:26

A3

